

HYVA CYLINDER

714 04 281



type: UMB 129-5-0980-K192-45-1/2"-HC

tipping weight: 7-17 ton

page # 1 / 2

Stage diameters 129 110 91 72 53	front view cylinder		A 175 ØC 150 G ¹ 408 I 216 K ¹ 192 M ¹ 86 ØP 88 ØQ 53 S 229 ØW 45 X 45
--	---------------------	--	---

¹including 20 mm pull-out [tol. -5; +30 mm]

²cylinder is delivered including oil inlet swivel adapter and cup

specifications

total stroke ¹	980 mm
dry weight cylinder only	46 kg
total volume	7.7 L
working volume	6.9 L
maximum pressure	220 bar
maximum pump flow	33 l/min
maximum allowable thrust first stage ³	15.0 ton
oil inlet	1/2" BSP

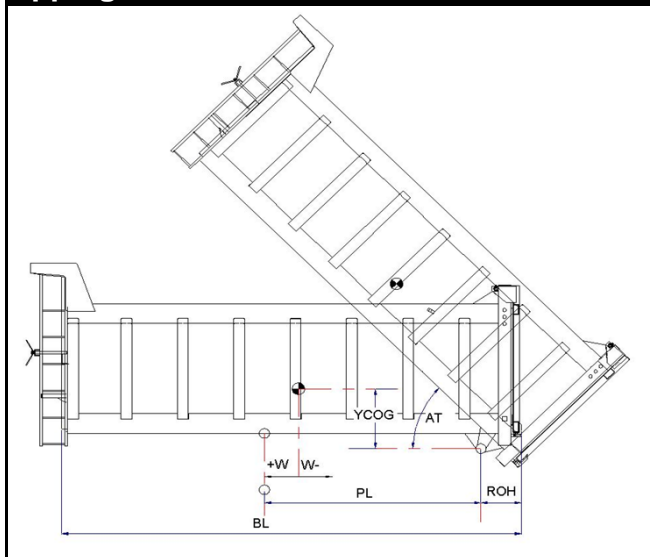
technical notes

This cylinder is a lifting device only and may not be used as a structural member or be subjected to side load. Sideload and/or poor alignment might result in cylinder leakage. Hyva therefore strongly recommends the use of a cradle, even in instances where the cylinder only tips to the rear or to the side. The cylinder is painted black RAL9005. For suitable hydraulic oils, please refer to data sheet OIL-0011. For details of available brackets and cradles, please refer data sheet 015BRA06.

Detailed calculations can be made using the HYVA Tipper Program, freely available from tipper.hyva.com.

³The cylinder thrust on the first stage (from the HYVA Tipper Program) must not exceed the maximum allowable (see specifications above).

tipping view



tipping weight

PL	1280	mm	1130				
YCOG	500	mm	500				
ROH	500	mm	500				
BL	3960	3560	3240	mm	3620	3260	2960
CYL w.r.t. COG (W)	-200	0	160	mm	-180	0	150
Tipping weight for full stroke of 46°				Tipping weight for full stroke of 52°			
Tipping weight	7	8	10	ton	7	9	12
Tipping weight for second last stage, up to 37°				Tipping weight for 2nd last stage, up to 42°			
Tipping weight	10	15	17	ton	12	15	17

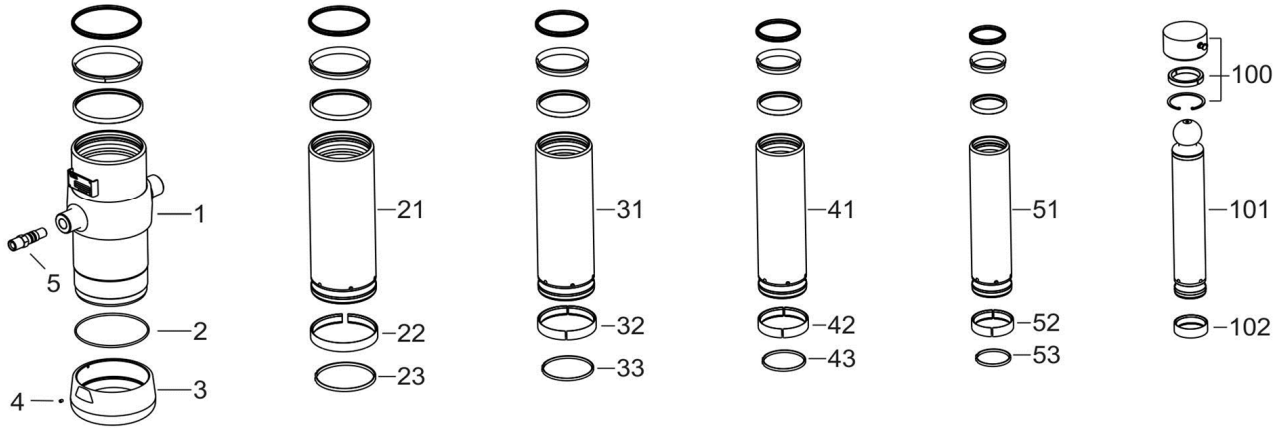
HYVA CYLINDER

714 04 281

type

UMB 129-5-0980-K192-45-1/2"-HC

page # 2 / 2



Spare part list

Pos	Part no.	Description	Qty.
1	73505100	BASE 149-0298-N0106	1
2	01226680	O-RING 145 X 4 70 SHORE	1
3	73101030	THREADED BOTTOM UM 149	1
4	01792571	LOCKING SCREW M6X12 INT. HEX. DIN 916	1
5	73103000	OIL INLET ADAPTOR UM 1/2"OT+O-RING	1
21	73604101	STAGE 129-0298-HC	1
22	71807129 K	SLIDER FL 129/GF 129 (2 X 1/2)	1
23	71812129 K	LIFTRING FL 129/HP 129	1
31	73603101	STAGE 110-0298-HC	1
32	71807110 K	SLIDER FL 110/GF 110 (2 X 1/2)	1
33	71812110 K	LIFTRING FL 110	1
41	73602101	STAGE 091-0298-HC	1
42	71807091 K	SLIDER FL 091 (2 X 1/2)	1
43	71812091 K	LIFTRING FL 091	1
51	73601101	STAGE 072-0298-HC	1
52	71807072 K	SLIDER FL 072 (2 X 1/2)	1
53	71810072 K	INNER STOPRING/LIFTRING FL 072	1

Spare part list

Pos	Part no.	Description	Qty.
100	01745101	RETAINER KIT UMB D.53	1
101	73400101	PISTON B 053-0334-HC	1
102	71807053 K	SLIDER FL 053 (2 X 1/2)	1

Seal kit complete

Part no.	Description
719 04 450K	Complete packset: Consists of all packsets with packset grease and o-ring.