

HYVA QUILL SHAFT



QUILL SHAFT

Hyva Partno.:

021307002-021301000

Gearbox:

MERCEDES

Page 1 / 1

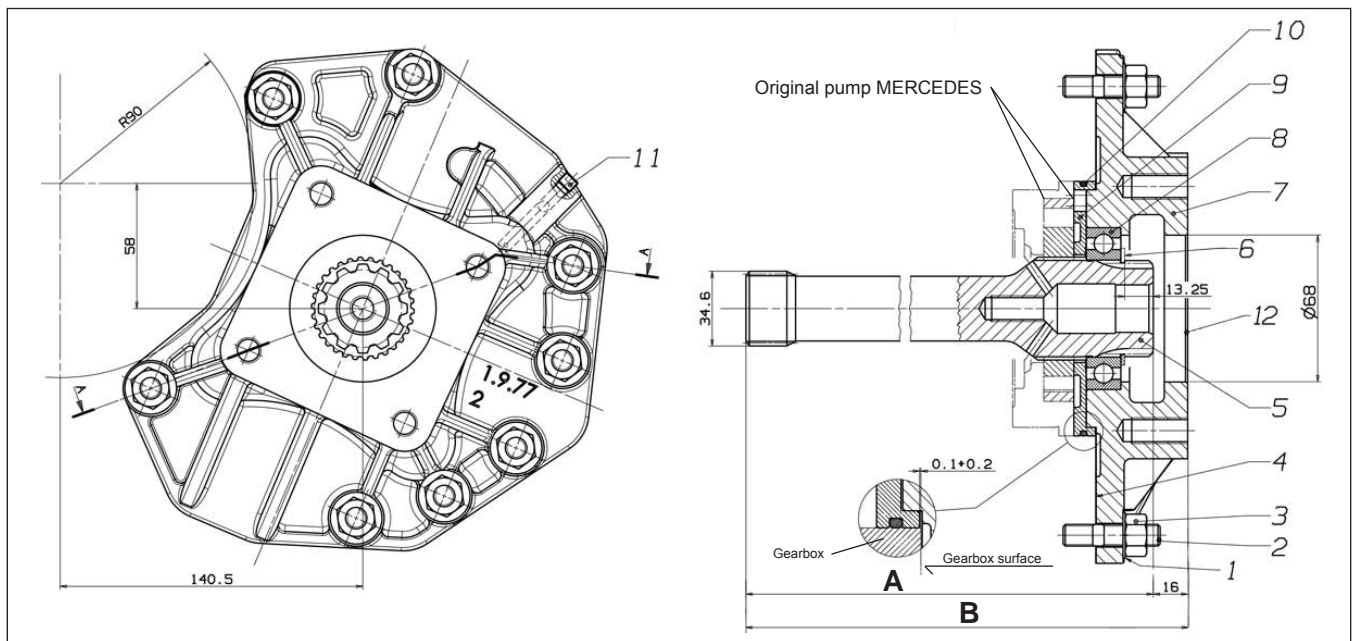
For gearbox produced since beginning 2002

Complete kit	Composed by		Gearbox type	A	B	Original Mercedes shaft length without PTO
	Quill shaft	Lubrication kit				
021307002	021307000	021316000	G 131...G 330	249	265	210
021301000	021307001		G 131... 330 + RETARDER	275	291	235
021307003			G 281-12 POWERSHIFT 3	266	282	226
021307004			G 281-12 POWERSHIFT 3 + AQUATARDER	294	310	250

For gearbox produced since beginning 2012



To order the appropriate quill-shaft and consequently the full assembly, please check that the length of the original Mercedes quill-shaft matches the one shown in the table.



Parts list

No.	Partno.:	Description	Qty.
1		Washer	8
2		Stud	8
3		Nut	8
4		Gasket	1
5		Quill shaft	1
6		Circlip	1
7		Flange	1
8		Ball bearing	1
9		Centering ring	1
10		O-Ring	1
11		Conical screw	1
12		Gasket	1



General informations

In the mounting phase of the SHAFT KIT onto the GEARBOX, scrupulously comply with the attached INSTRUCTIONS.