

HYVA PTO'S



PNEUMATICALLY OPERATED POWER TAKE-OFF

Hyva

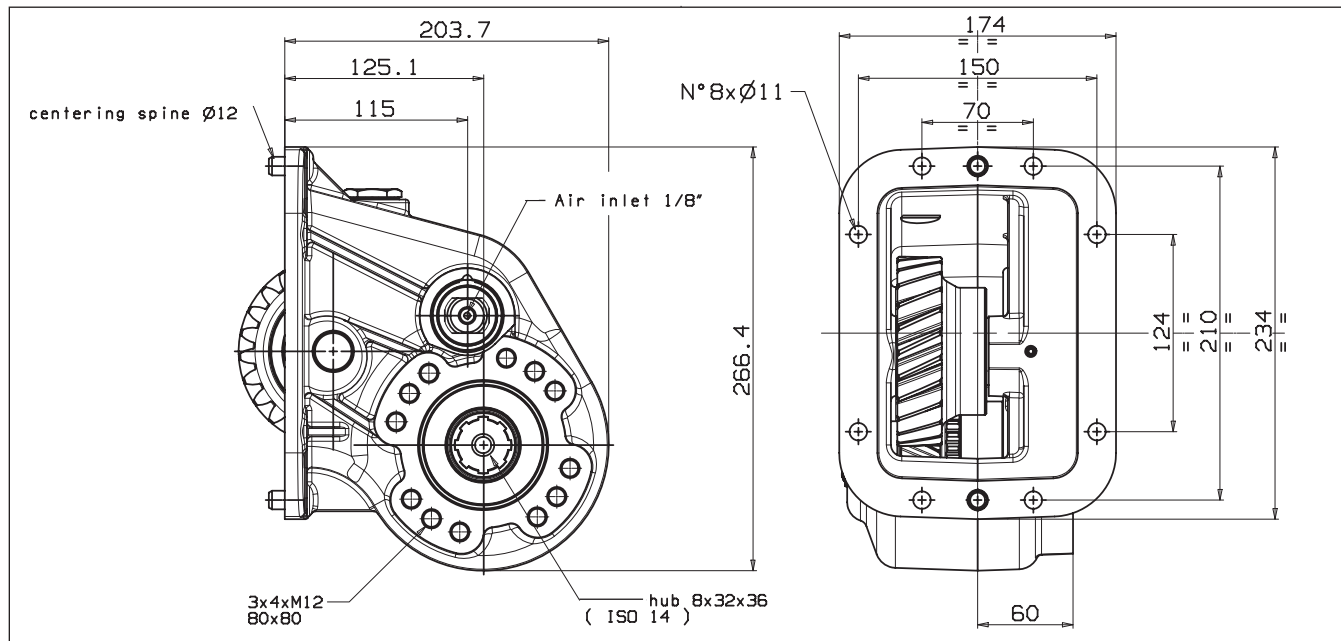
Partno. PTO only:

021211071

Type Gearbox:

SCANIA

Page 1 / 1



Specifications

| | | |
|-------------------------|-------------------|---------------|
| Type Gearbox | GRS 900 - GRS 920 | |
| PTO ratio@1000 eng. rpm | Norm. 1260 rpm | High 1547 rpm |
| Max torque | 480 Nm | |
| Mounting side | Right | |
| Output | Rear | |
| Rotation | Cw | |

Mounting kit

| | |
|----------|-----------|
| Part no. | 021461000 |
|----------|-----------|

