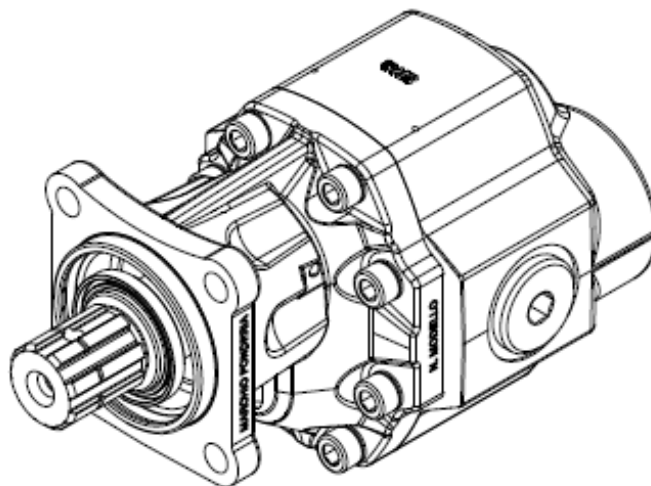


# Mounting Instructions

## Gear Pump

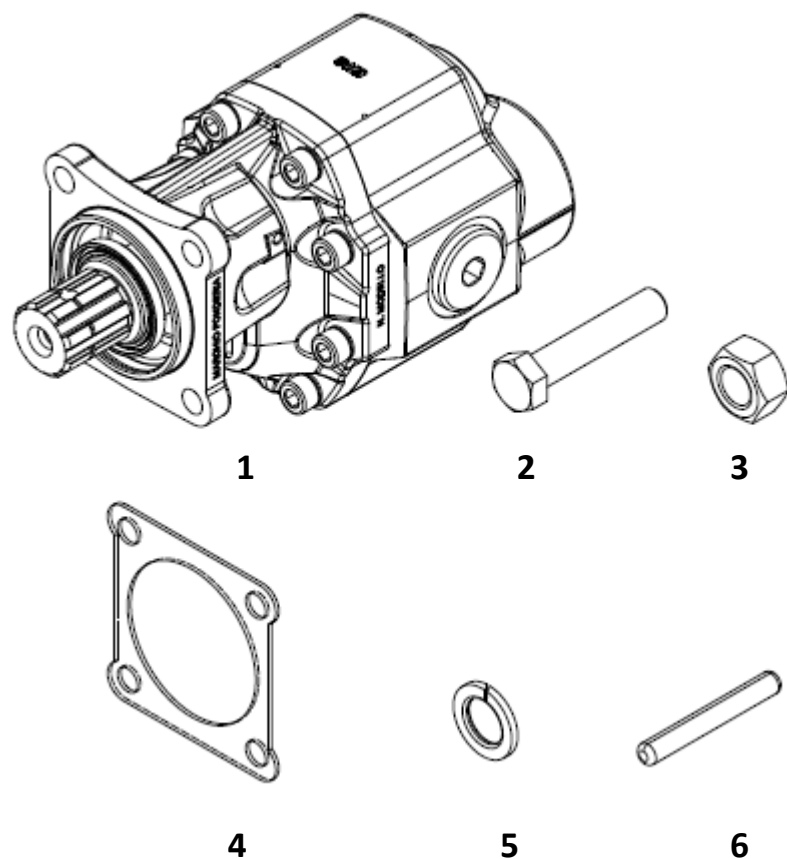


# Mounting Instructions

## Gear Pump

# Mounting Instructions

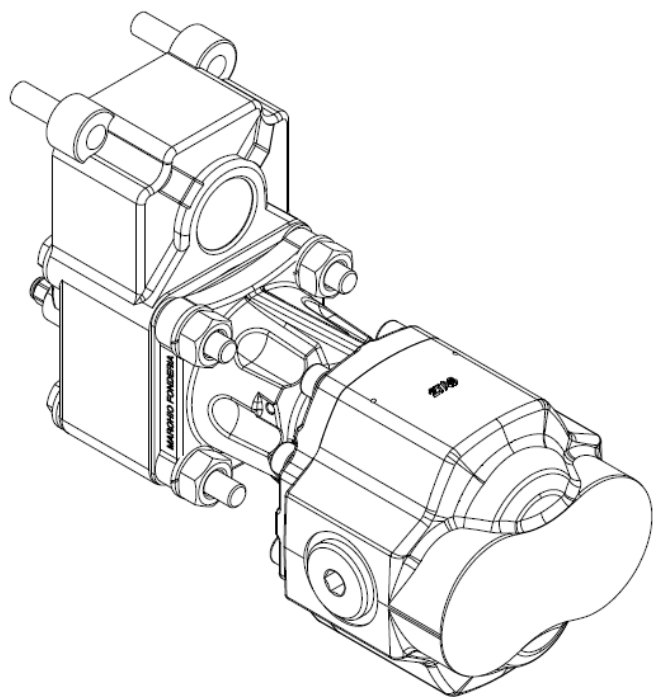
## Gear Pump



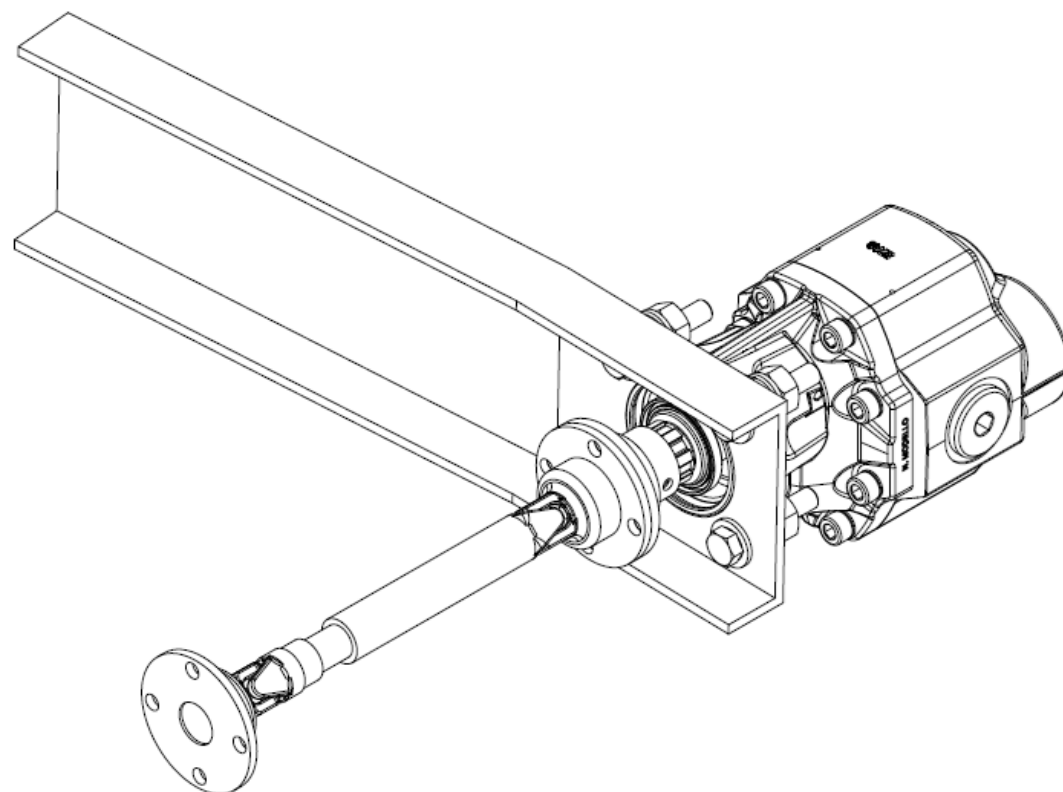
No.	Description	Q.ty
1A	Gear Pump 4H5	1
1B	Gear Pump 4H3	1
2	Self-Locking Nut M12 DIN	4
3	Washer M12 DIN	4
4	Bolt M12x50	4
5	Dowel Pin, 8mm	1
6	Pump Flange	1

# Mounting Instructions

## Gear Pump



TYPE 4H5: 1, 4



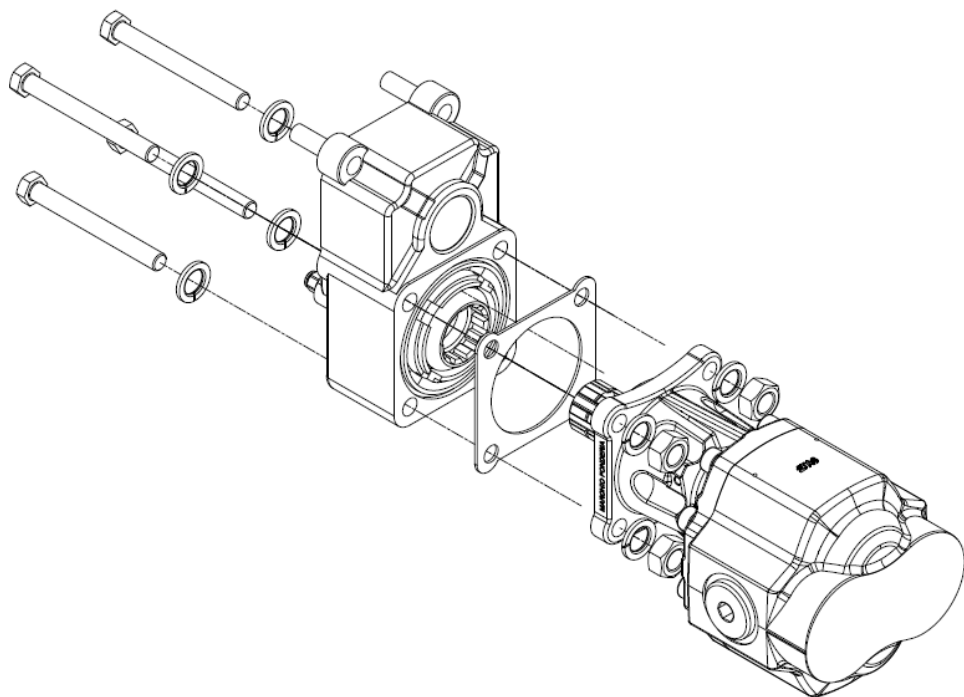
TYPE 4H3: 2, 3, 4

# Mounting Instructions

## Gear Pump

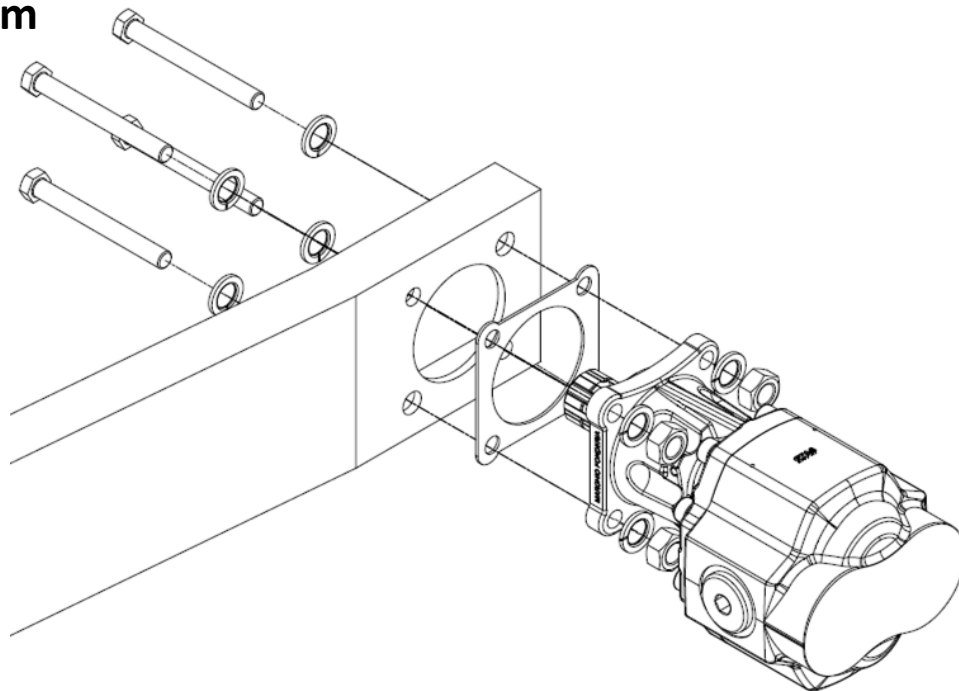
1

80Nm



2

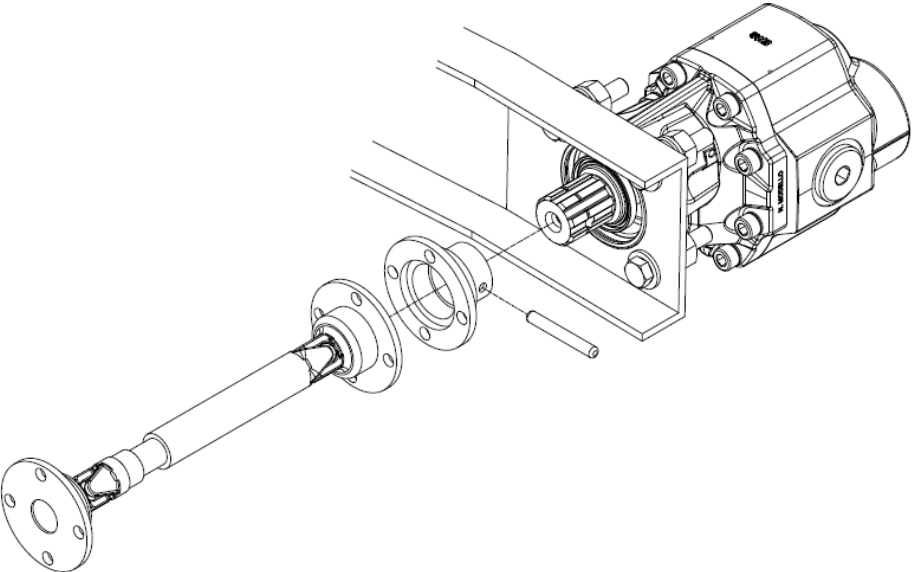
80Nm



# Mounting Instructions

## Gear Pump

3



4

