

# HYVA GEAR PUMPS



EXTERNAL GEAR TYPE - BRITE SERIES

Hyva

gear pump type :

gear pump 113L - BI - 4H - BRITE

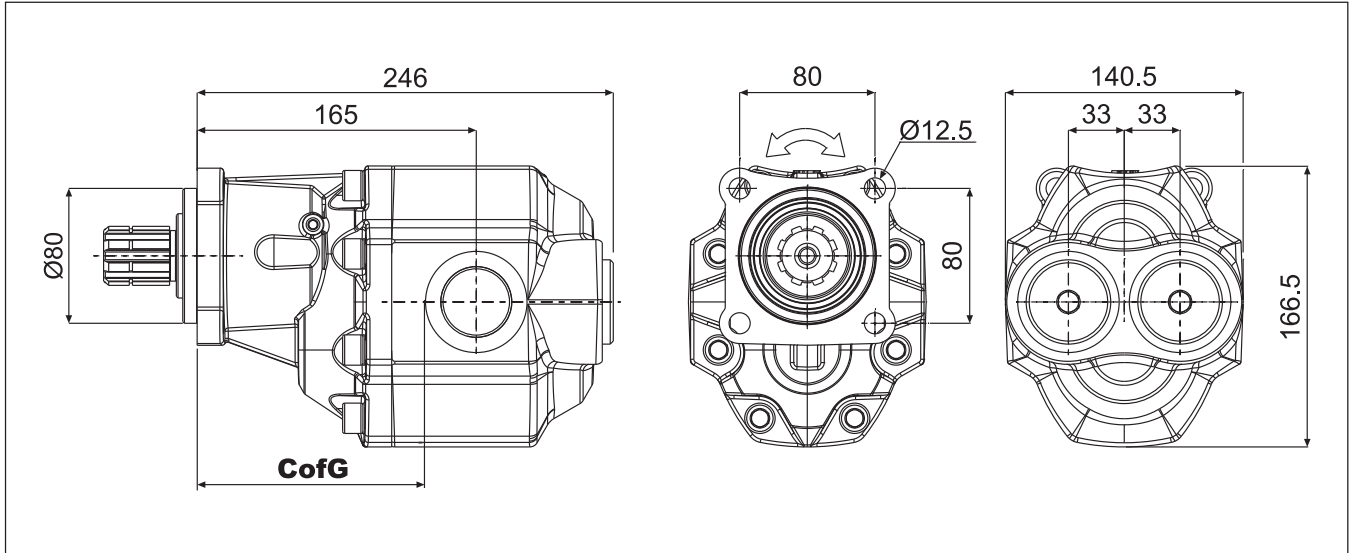
part number :

145 62 035

page # 1 / 2

rotation :

bi-rotational

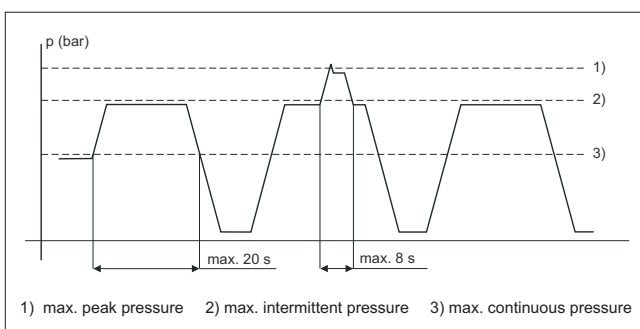


## specifications

displacement per revolution	:	112,85	cm <sup>3</sup>
maximum peak pressure	:	235	bar
maximum intermittent pressure	:	225	bar
maximum continuous pressure	:	205	bar
maximum speed without load	:		min <sup>-1</sup>
max. speed at intermittent press.	:	2250	min <sup>-1</sup>
min. speed at intermittent press.	:	400	min <sup>-1</sup>
oil temperature range	:	-25↔80	°C
inlet pressure range (suction side)	:	0.7↔3	bar (abs)
recommended oil viscosity range	:	12↔100	mm <sup>2</sup> /s (cSt)
maximum starting viscosity	:	750	mm <sup>2</sup> /s (cSt)
filtration :			
- working pressure < 200 bar	:	25	µm
- working pressure > 200 bar	:	10	µm
connection :			
- inlet - straight internal thread	:	1,25 "	B.S.P.
- outlet - straight internal thread	:	1,25 "	B.S.P.
minimum suction hose bore diameter	:	1,75	inch
shaft DIN 5462	:	8*32*36	mm
mass	:	20,5 +/- 0,5	kg
centre of gravity distance (CofG)	:	132,4	mm
noise level at 900 min <sup>-1</sup> and 100 bar	:	66,6	dB(A)
noise level at 1500 min <sup>-1</sup> and 100 bar	:	69,5	dB(A)

efficiency diagram on request

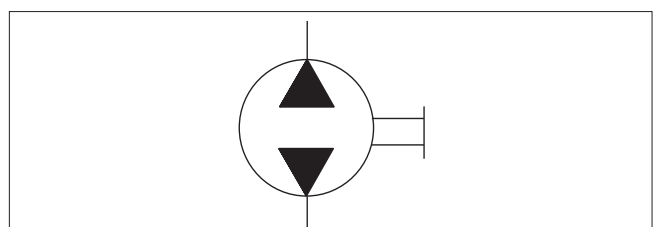
## pressure definition



## power and torque

Pressure (bar)	50	100	150	200	250
Torque (Nm)	104	196	283	367	457
Power (kW)					
500	5	10	15	19	24
1000	11	20	30	38	48
1500	16	31	45	58	73
2000	22	41	59	77	96
2250	27	51	74	96	120
Flow (L/min.)					
500	54	53	53	52	52
1000	109	107	105	104	104
1500	163	160	158	156	155
2000	217	213	210	209	208
2250	230	227	224	222	220

## hydraulic pump symbol



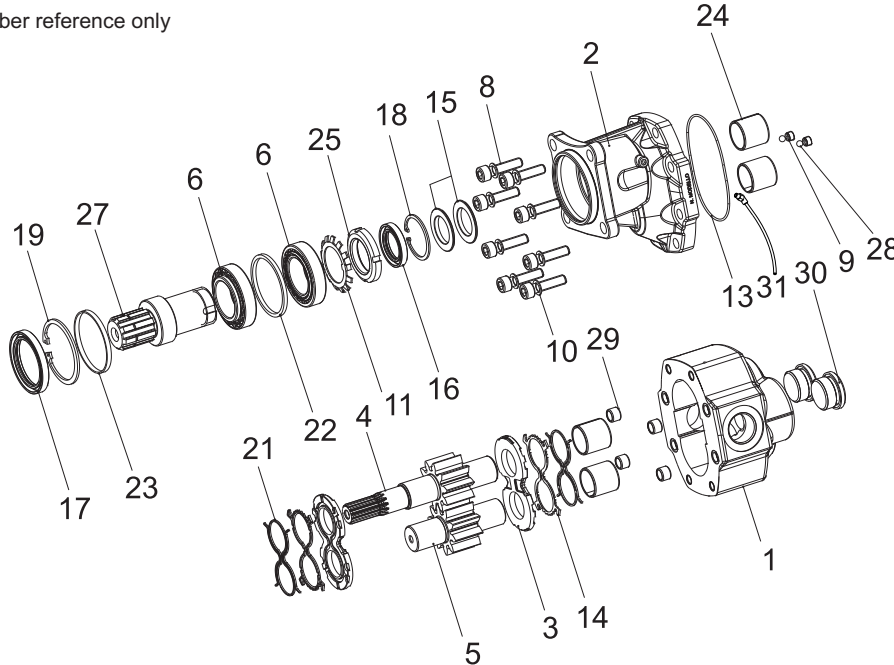
# HYVA GEAR PUMPS



EXTERNAL GEAR TYPE - BRITE SERIES

Hyva	gear pump type :	gear pump 113L - BI - 4H - BRITE
page # 2 / 2	part number :	145 62 035
	rotation :	bi-rotational

drawing for part number reference only



## spare part list gear pump 145 62 035

pos.	code no.	description	qty.
1		body	1
2	145 62 035 02	front cover	1
3	022 59 405	thrust plate Brite	2
4	023 27 461	drive shaft	1
5	022 69 351	driven gear	1
6	024 70 522	roller bearing	2
8	145 62 035 07	screw	8
9	145 62 035 09	dowel 1/8"	2
10		washer	8
11		lock washer	1
13	023 91 721	O-ring	1
14	023 96 571	seal	2
15	024 04 826	shaft seal*	2
16	145 62 035 16	shaft seal	1
17	145 62 035 17	shaft seal	1
18	145 62 035 18	circlip	1
19	145 62 035 19	circlip	1
21	023 96 528	back-up ring	2
22		spacer	1
23	145 62 035 23	spacer for cover	1
24	024 04 860	sleeve bearing	4
25	145 62 035 25	threaded locking ring	1
27	145 62 035 27	support shaft	1
28	145 62 035 28	ball	2
29	145 62 035 29	steel bushes	4
30	017 02 856	steel plug	2
31		protection plug	1

## seal kit

code no.	description	qty.
024 60 005	seal kit complete with grease	1
	(comprises 13, 14, 15, 16, 17 & 21)	

## general information and mounting possibilities.

The mentioned data on page 1 is for mineral based oil.  
For other fluids, please contact our engineering dept.

The filtration as mentioned is for tippers only. For different applications we advise filtration according ISO 4406 class 17/14.

To avoid cavitation, the suction hose must be kept as short and straight as possible, and the minimum oil level in the oil tank must be above the inlet of the pump.

Side and/or rear ports can be used as desired.

Torque plugs:

3/4"	60 Nm
1"	75 Nm
1 1/4"	115 Nm

### \*NOTE:

Shaft seal 15 has been replaced by 2 shaft seals with part number: 02404826